

# Vartical Tripod Turnstile



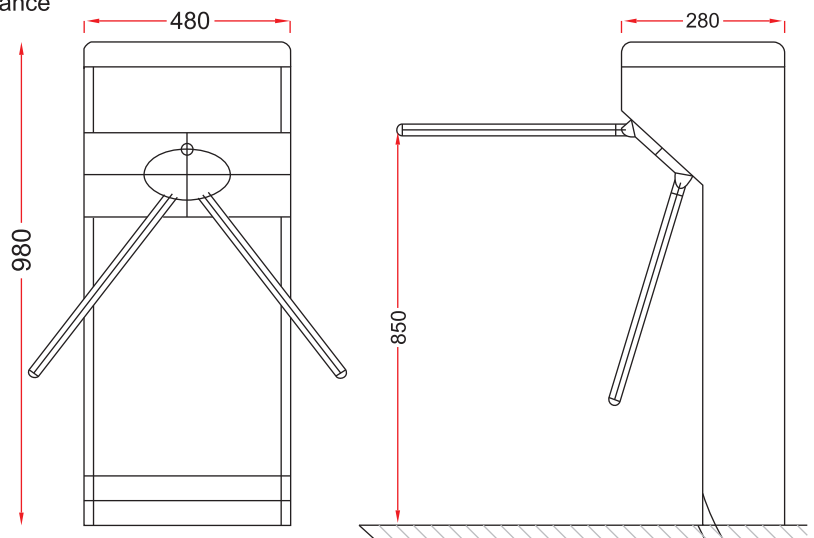
## S-VT1000

- Auto replacement function, reposition after person pass by
- Anti tail function auto-lock once turn 120°
- Arms auto drop when power off, ensure unblocked when accident
- Standard electronic interface, remote control through internet which could also connect variety of card readers and receive relay signal to work
- Diverse control mode optional, changeable due to varying, convenient for your manage
- Auto alert error function, comfort for user maintain and operate
- Manual button or remote control, Bi-directional passage
- Open signal with memory or with out set function
- Red and green light to show pass or stop, leisure to exit and entrance

### Key Features

- Cabinet & Internal Structure is in 304 SS grade.
- Length of Swing Arm 500 to 550mm
- With drop arm features
- Unlock Time 0.6 second
- Passing Speed 30-40 Person/Min.
- Passing Width 500-550mm
- Power Supply AC220,50/60Hz
- Operational Voltage Motor (24V)
- Working Temp -10°C to +60°C
- Protection Level IP55
- Electro Mechanical Drive DC
- Dimension Excluding Bars (H980xW480xD280mm)

### Dimension (mm)



# Specification

## Specification

## S-VT1000

Cabinet/Body Structure	SS. 304 Grade
Open angle	90°
Operational Voltage	24V
Pass speed	30 ~ 40 Person/Minutes
Motor	Electro Mechanical
Power Voltage	AC220 ± 10%, 50Hz
Operation condition	-10°C ~ 60°C
Structure	Frame or 304 Stainless steel cover
Open direction	Single and Double(Optional)
Working Current	≤ 2000 mA
IP Degree	IP55
Length of the bar / Swing Arm	500mm ~ 550mm
Duty Cycle	100%
Width of passage	≤ 550 mm
Dimension	980x480x280mm

